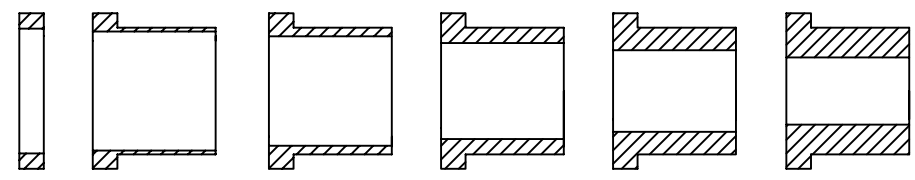
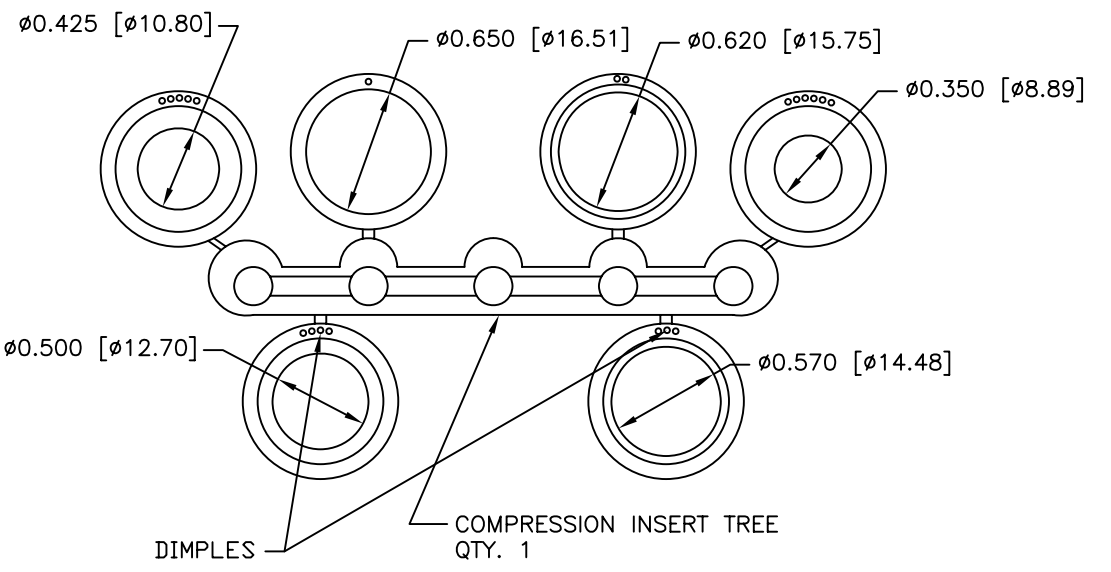
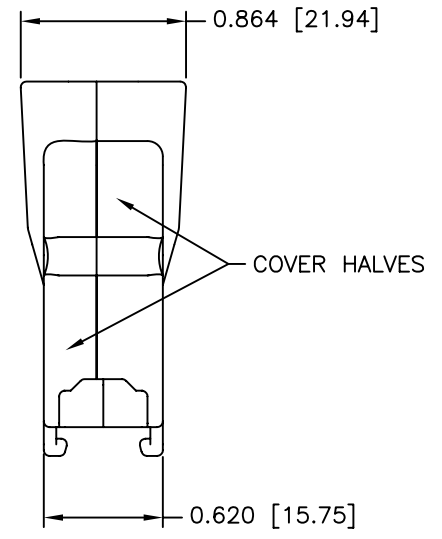
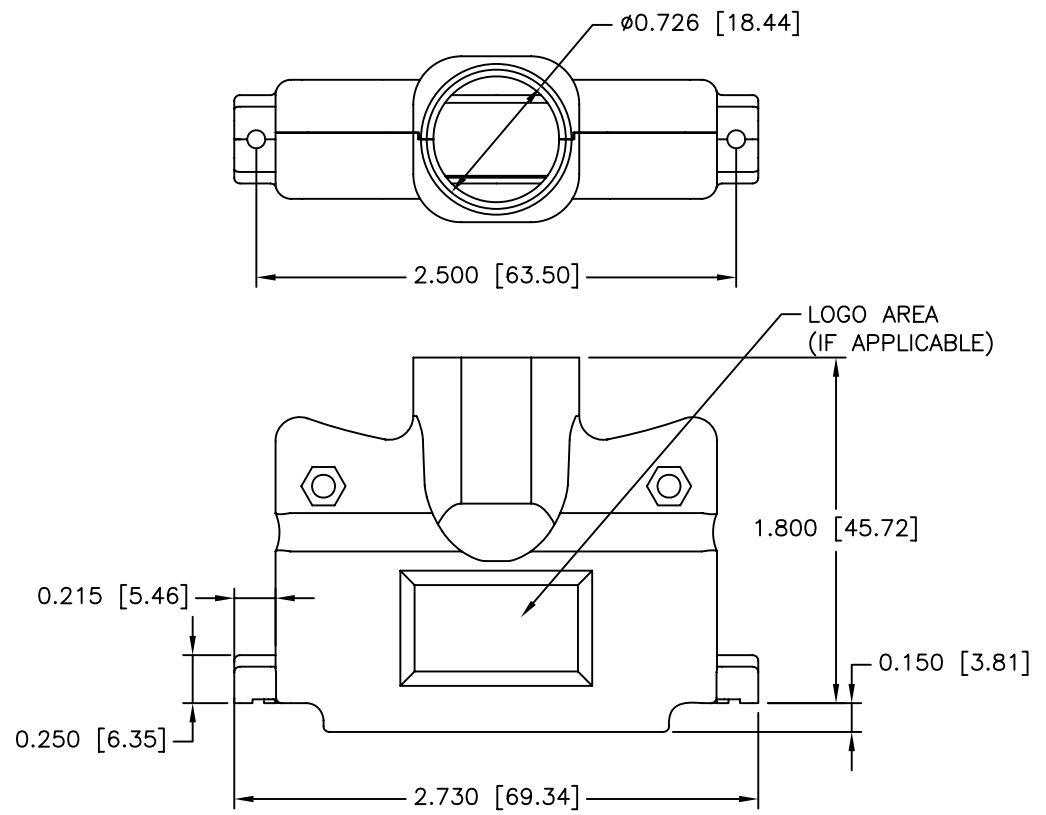




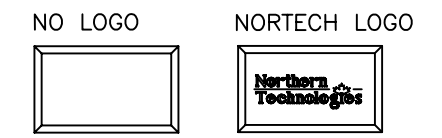


REVISIONS				
ZONE	REV	DESCRIPTION	DATE	APPROVED
	A	ECN 0531	06-MAY-05	
	B	ECN 0600	10-AUG-06	
	C	ECN 0628	24-JAN-07	
	D	ECN 0643	24-JAN-08	
	E	ECN 0644	08-FEB-08	



-  #4-40 X 7/16" FILLISTER HEAD MACHINE SCREW  
MATERIAL - STEEL  
FINISH - BRIGHT ZINC  
QTY: 2 EACH
-  #4-40 #2 BLANK HEX NUT  
MATERIAL - STEEL  
FINISH - BRIGHT ZINC  
QTY: 2 EACH
-  FILLISTER HEAD CAPTIVE SCREW  
HEAD STYLE - SEE PAGE 2  
MATERIAL - SEE PAGE 2  
FINISH - SEE PAGE 2  
QTY: 2 EACH
-  #4 SADDLE WASHER  
MATERIAL - STEEL  
FINISH - BRIGHT ZINC  
QTY: 2 EACH



CONNECTOR COVER:  
 1.MATERIAL: ZINC ALLOY  
 2.FINISH: BRIGHT ZINC PLATING PER NTC SPECIFICATION N/T 000100  
 3.DIMENSIONS: INCHES [MM]  
 4.TOLERANCE: ±0.015 [0.381]

COMPRESSION INSERT TREE  
 1.MATERIAL: THERMOPLASTIC  
 2.COLOR: BLACK  
 3.DUROMETER: 75 ±5 TYPE A PER ASTM D2240  
 4.DIMENSIONS: INCHES [MM]  
 5.TOLERANCE: ±0.020 [0.508]

THIS IS A CONTROLLED DOCUMENT AND IS SUBJECT TO CHANGE. CONTACT NORTHERN TECHNOLOGIES ENGINEERING FOR THE LATEST REVISION.

UNLESS OTHERWISE SPECIFIED 1. ALL DIMENSIONS ARE IN INCHES (MM) 2. DIMENSIONS ARE TYPICAL		<b>Northern Technologies</b>			THIS DRAWING IS THE PROPERTY OF NORTHERN TECHNOLOGIES AND SHOULD NOT BE REPRODUCED WITHOUT NORTHERN TECHNOLOGIES WRITTEN PERMISSION.	
DRAWN JSD 20-MAR-05		PART NUMBER SEE PART NUMBER INFORMATION				
CHECKED SCN 20-MAR-05		DESCRIPTION CM 37 METAL COVER				
ISSUED 20-MAR-05		SIZE B	CODE 200_104	DWG NO. 0002-200-104	REV	
		SCALE NTS			SHEET 1 OF 2	

PART NUMBER INFORMATION

PART#	WITH #4-40 X 1/2" CAPTIVE SCREWS (SLOT HEAD)	SUPPLIED
A29E821373	NO LOGO COVER TOP	BULK
A29E921370	NORTECH LOGO COVER TOP	BULK
A30E130100	COVER BOTTOM	BULK
C88E000210	NO LOGO	PACKAGED
C88E000206	NORTECH LOGO	PACKAGED

PART#	WITH #4-40 X 7/16" CAPTIVE SCREWS (SLOT HEAD)	SUPPLIED
A29E8213731	NO LOGO COVER TOP	BULK
A29E9213701	NORTECH LOGO COVER TOP	BULK
A30E130100	COVER BOTTOM	BULK
C88E0002101	NO LOGO	PACKAGED
C88E0002061	NORTECH LOGO	PACKAGED

PART#	WITH M2.5 X 12.7MM CAPTIVE SCREWS (SLOT HEAD)	SUPPLIED
A29E821373M25S	NO LOGO COVER TOP	BULK
A29E921370M25S	NORTECH LOGO COVER TOP	BULK
A30E130100	COVER BOTTOM	BULK
C88E000210M25S	NO LOGO	PACKAGED
C88E000206M25S	NORTECH LOGO	PACKAGED

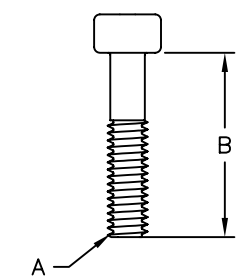
PART#	WITH M2.6 X 12.7MM CAPTIVE SCREWS (SLOT HEAD)	SUPPLIED
A29E821373M26S	NO LOGO COVER TOP	BULK
A29E921370M26S	NORTECH LOGO COVER TOP	BULK
A30E130100	COVER BOTTOM	BULK
C88E000210M26S	NO LOGO	PACKAGED
C88E000206M26S	NORTECH LOGO	PACKAGED

PART#	WITH M3 X 12.7MM CAPTIVE SCREWS (SLOT HEAD)	SUPPLIED
A29E821373M3S	NO LOGO COVER TOP	BULK
A29E921370M3S	NORTECH LOGO COVER TOP	BULK
A30E130100	COVER BOTTOM	BULK
C88E000210M3S	NO LOGO	PACKAGED
C88E000206M3S	NORTECH LOGO	PACKAGED

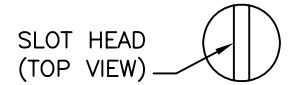
PART#	WITH #4-40 X 1/2" CAPTIVE SCREWS (PHILLIPS HEAD)	SUPPLIED
A29E821373PS	NO LOGO COVER TOP	BULK
A29E921370PS	NORTECH LOGO COVER TOP	BULK
A30E130100	COVER BOTTOM	BULK
C88E000210PS	NO LOGO	PACKAGED
C88E000206PS	NORTECH LOGO	PACKAGED

REVISIONS				
ZONE	REV	DESCRIPTION	DATE	APPROVED

FILLISTER HEAD CAPTIVE SCREW



THREAD (A)	LENGTH (B)	HEAD STYLE	MATERIAL	PLATING
#4-40 UNC	1/2 INCH	SLOT	COLD ROLL STEEL	ZINC
#4-40 UNC	7/16 INCH	SLOT	COLD ROLL STEEL	ZINC
M2.5 X .45MM	12.7 MM	SLOT	LOW CARBON STEEL	ZINC
M2.6 X .45MM	12.7 MM	SLOT	LOW CARBON STEEL	ZINC
M3 X .5MM	12.7 MM	SLOT	LOW CARBON STEEL	ZINC
#4-40 UNC	1/2 INCH	PHILLIPS	LOW CARBON STEEL	ZINC



SLOT HEAD (TOP VIEW)



PHILLIPS HEAD (TOP VIEW)

THIS IS A CONTROLLED DOCUMENT AND IS SUBJECT TO CHANGE. CONTACT NORTHERN TECHNOLOGIES ENGINEERING FOR THE LATEST REVISION.

UNLESS OTHERWISE SPECIFIED 1. ALL DIMENSIONS ARE IN INCHES [MM] 2. DIMENSIONS ARE TYPICAL		<b>Northern Technologies</b> <small>THIS DRAWING IS THE PROPERTY OF NORTHERN TECHNOLOGIES AND SHOULD NOT BE REPRODUCED WITHOUT NORTHERN TECHNOLOGIES WRITTEN PERMISSION.</small>		
DRAWN JSD 20-MAR-05		PART NUMBER SEE PART NUMBER INFORMATION DESCRIPTION CM 37 METAL COVER		
CHECKED SCN 20-MAR-05	ISSUED 20-MAR-05	SIZE B	CODE 200_104	DWG NO. 0002-200-104
		SCALE NTS	SHEET 2 OF 2	